



Harmony Drapery Hardware Collection Installation Guide



WE MAKE IT EASY!™



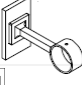
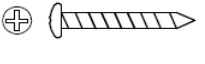
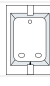


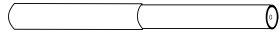
Before Starting

Please read through all instructions carefully before you begin. For safety and ease of mounting, two-people working together is recommended. Unpack all materials making sure all components are included.

NOTE: The mounting hardware provided is meant for drywall / stud mounting only. Try to mount to wood studs whenever possible. For safe mounting, it is essential to use the proper hardware for your wall type.

Tools You Will Need:

- Philips Screwdriver
- Pencil
- Tape Measure
- Stud-Finder
- Carpenter's Level

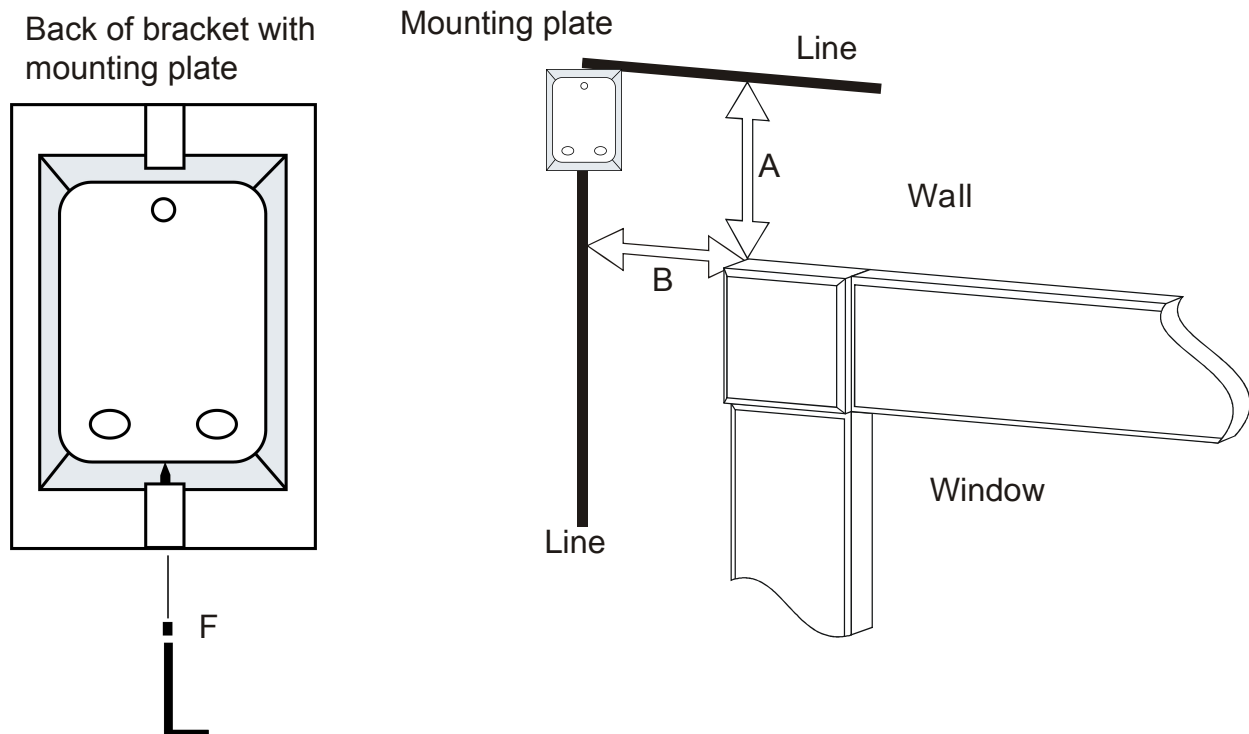
Parts Included:		Hardware Enclosed:	
(D) Finials based on style selected (2)		(A) Drywall Anchors (3 per bracket)	
(E) Bracket (2 or 3 based on rod size)		(B) Metal Screws (3 per bracket)	
(F) Mounting plate attached to each bracket		(C) Allen Key (1)	
(G) Plastic Adapter (1)			
(H) Telescoping Rod (1)			

Note:

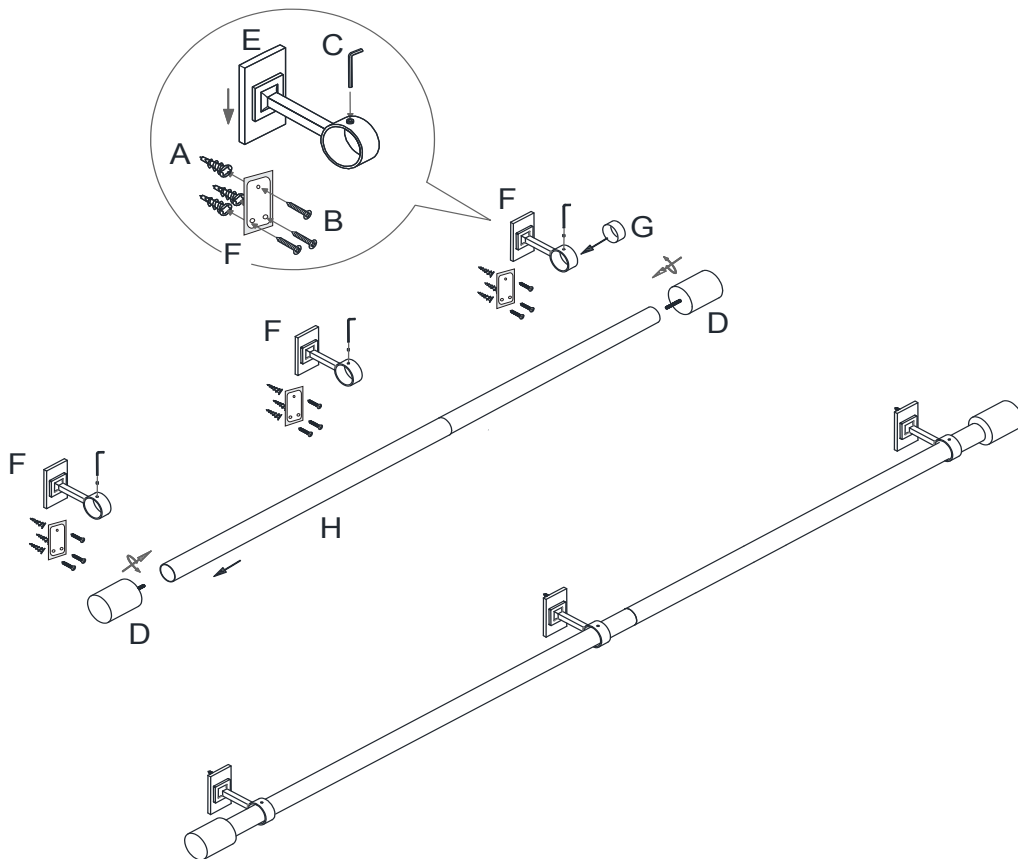
Number of brackets is based on the size of the telescoping rod purchased

28"-48" (comes with 2 brackets)	66"-120" (comes with 3 brackets)
48"-84" (comes with 3 brackets)	84"-156" (comes with 3 brackets)

Installation Instructions



1. Remove Mounting plate from back of the bracket:
Use the Allen key provided to loosen the screw from hole location on the bracket as shown in above illustration of mounting plate "F". Remove the mounting plate from the back of the bracket using Allen key.
2. Determine a desired mounting location over a window frame and then use a tape measure, a level or a laser line level and a pencil to make a level line that extends along the entire width of the window or door frame and a predetermined distance above it, as shown by arrow "A" in the illustration. For the maximum amount of light, we recommend that the brackets be positioned on each side of the window frame a distance "B" so that the curtains can be drawn open completely. The exact position of the bracket (with its mounting plate) will depend on the width of the curtain when gathered closed. You can attach a curtain to not yet mounted rod assemblies to determine the distance "B", as shown in the illustration.
3. If any of the mounting plate hole marks of Step (2) aligns with an internal wall stud (use a stud finder to determine this), use only a provided Screw (B) at that mark - do not use the anchor. When instructed to do so below, skip to step 5.
4. For marks that do not align with a stud, use both the anchor (A) and the screw (B). To install the anchor, use a Phillips screwdriver to engage the anchor and then position the anchor tip against the wall at one of the marks. Rotate the anchor clockwise as you firmly push it into the wall. The anchor will drive itself into the wall like a large screw. Continue rotating until the large flange of the anchor becomes even with the wall surface. Do not over-tighten.
5. Return one of the Mounting Plates (F) to its mounting position so the holes align with either an installed anchor or a pencil mark (if the mark happened to align with a stud). Use a screwdriver to secure a Screw (C) through each mounting plate hole and into either the anchor or the wall stud. Rotate the screw clockwise until tight. Repeat this step with the other mounting plates.
6. Slide the Brackets (E) onto each installed mounting plates. Use the Plastic adapter (G) on the small rod inside the bracket for bracket rings to fit perfectly. Align the brackets so they will fit the rod sections smoothly. Adjust if necessary.
7. Carefully slide the telescoping rod (H) through each of the mounted brackets and extend the rod as necessary to position the rod evenly on your window. Depending on how your drapes or curtains are secured to the rod (straps, rings, clips etc.), you may have to attach the drapes to the rod simultaneously as you slide the rod through each bracket.
8. Use the provided Allen key (C) to tighten each set screw that located at each bracket (E) to secure the rods in place.
9. Attach a Finial (D) at each end of the rod assembly by threading the stud of the finial into the threaded hole in the rod end. Rotate the finial clockwise with one hand while holding the rod firmly with your other hand. Hand-tighten only.



Ceiling mount Instalation Instructions

Follow same steps as above after finding ceiling location to install the brackets.

HANGING THE CURTAINS (Curtain is not included with this item):

Rod pocket Pocket/Back tab/Grommet Top Curtains – Remove Finial (D) from either end of rod to slide curtains onto the assembled rods.

Pleated Curtains with rings and hooks – For pleated drapes with rings also remove the Finial (D) from either end of the rod and follow the separate instalation guide provided fro pleated drapes..

Care instructions:

Clean with a soft, dry or slightly damp cloth.

To protect the finish, do not apply with household cleaners or abrasives.