

**BLINDS To Go™**

# Wood Blinds Installation Guide



**We make it easy!**

## Before starting

Your new Blinds To Go® wood blind is custom made to your specifications from the finest material available. The installation should be easy and your blind should fit beautifully.

### Mounting Options

**Inside mount:** Shade is mounted inside the window frame, either to the top of the frame or to the sides.

**Outside mount:** Shade is mounted either on or outside the window frame.

**Note:** Mounting screws provided are suitable for most mounting surfaces. See below for additional suggestions.

**For wallboard or plaster:** Use the provided hollow wall anchors for added support.

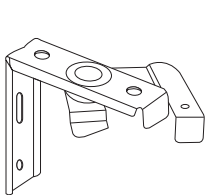
**For concrete, stone, brick or tile:** Use an appropriate drill and appropriate anchors before fastening the screws.

**For metal surfaces:** Pre-drill holes and use an appropriate anchors before fastening the screws.

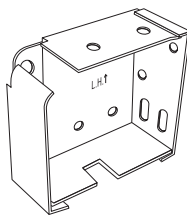
#### Suggested Tools

- Drill
- Level
- Pencil
- Screwdriver
- Tape measure

### Parts



or

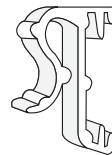


Universal bracket  
Quantity: 2 or more  
depending on width  
of the blind

Box bracket  
Quantity: 2



Screws  
Quantity: 2 per  
bracket



or



or



Valance clip  
(most 2" natural wood blinds)  
Quantity: 2 or more  
depending on width of blinds

Valance clip  
(1" natural wood blinds)  
Quantity: 2 or more  
depending on width of blind

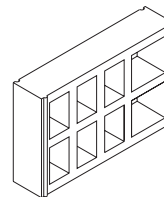
Valance clip  
(most 2" faux wood blinds)  
Quantity: 2 or more  
depending on width of blind

### Optional Hardware

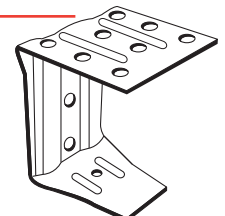
*(only provided for specific applications)*



Hold down brackets  
(to hold the bottom rail of the blind  
in place, i.e. for a door window)



Spacer blocks  
(to bring the blind away from  
window/frame/wall)



Center support bracket  
(used with box brackets  
for blinds wider than 44")

# Getting started

Mounting Options *(please refer only to direction for mounting option specified in your order.)*

**Inside mount:** Blind is mounted inside the window frame.

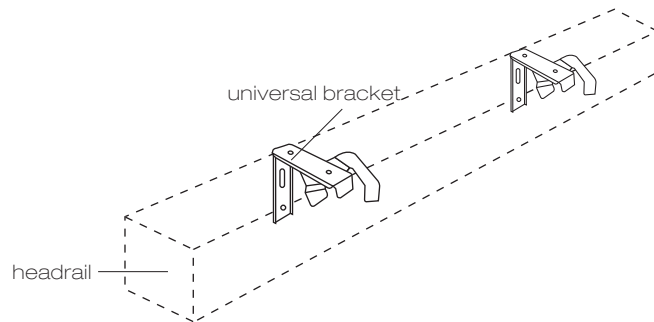
**Outside mount:** Blind is mounted either on or outside the window frame.

## Step 1. Mounting brackets

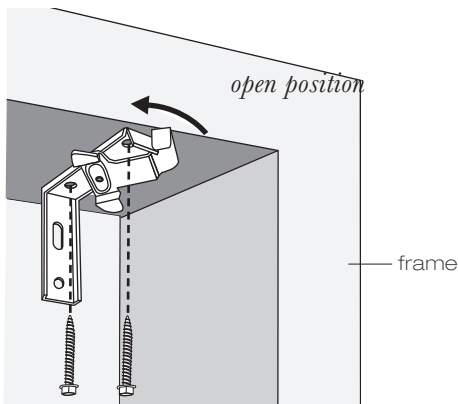
1. The brackets should be positioned **approximately 9"** in from each end of the headrail. If necessary, adjust the position of the brackets to avoid interfering with the operating components inside the headrail.
2. Using 2 screws per bracket, fasten the brackets to the mounting surface. Leave brackets in open position.

### If using universal brackets

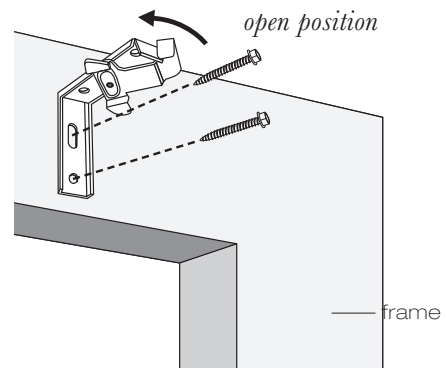
Mark approximately 9" away from each end of the headrail for the brackets.



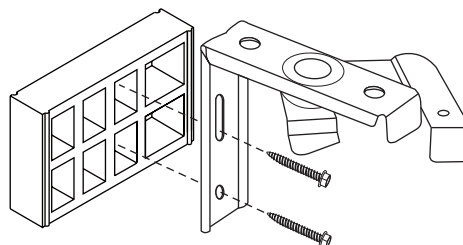
#### *inside mount*



#### *outside mount*

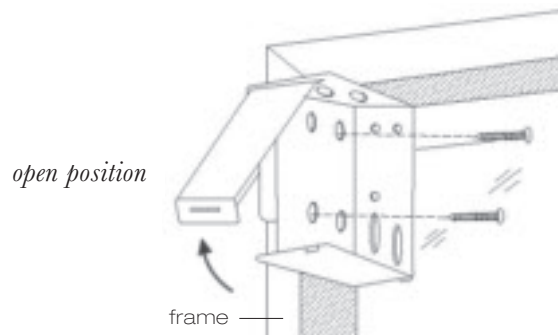


**Note:** If you ordered spacer blocks, apply as illustrated.

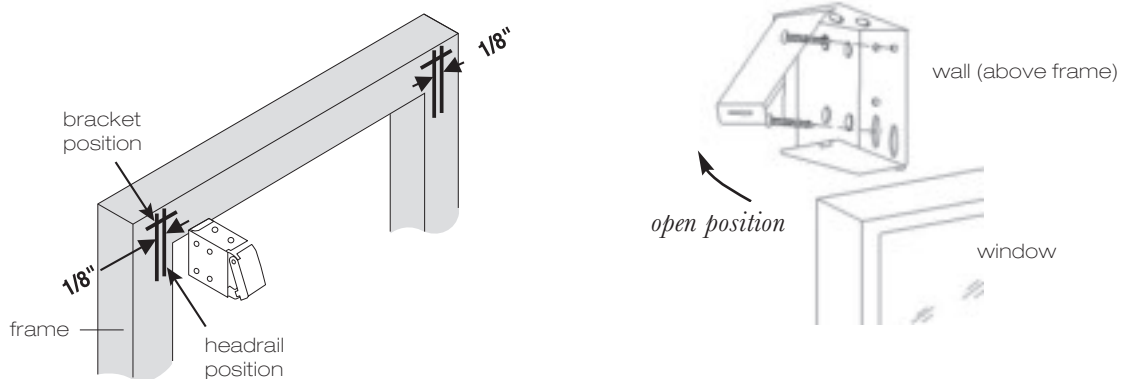


## If using box brackets

**Inside mount** – mount brackets in the corners of the frame.



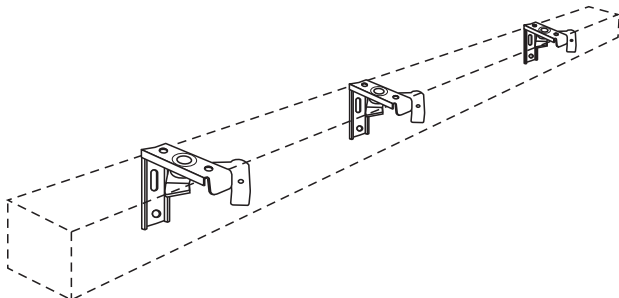
**Outside mount** - outside edge of the bracket should be positioned 1/8" to outside of the headrail end mark. Mark position of the bracket as illustrated.



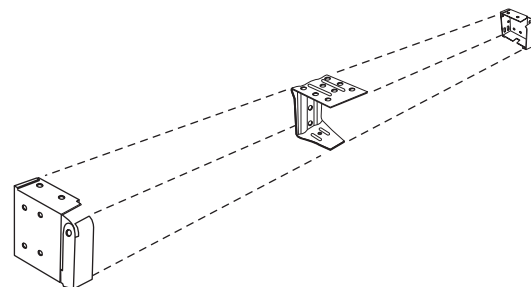
## Step 2. Mounting center support brackets *(only for blinds over 44" wide)*

1. When only one center support bracket is provided, position the center bracket in the center of the two mounting brackets. The center bracket can be 2" to 3" to the right or left of center to make sure it does not interfere with mechanical components of your blind.

**universal bracket**



**box bracket**



If more than one center support bracket is provided, they should be spaced evenly between the two mounting brackets.

2. Using 2 screws per bracket, fasten the bracket(s) to your window frame or wall. For inside mount, use the top holes. For outside mount, use the back holes.

### Step 3. Installing the wand *(only if you have ordered a wand tilter)*

1. Lift the clear *plastic cover* (2) up from the tip of the wand tilter and remove the *hook* (3). see fig. A
2. Clip the plastic cover over the metal wand tilter stem and place the hook through the eyelet of the metal tilter stem. see fig. B.
3. Fit the hook into the holes at the *top of the wand* (4) and slide the clear plastic cover down the stem to secure hook into the eyelet. see fig. C.
4. Using the cord tassels to let the blind down and turn the wand to test if the wand is installed properly.

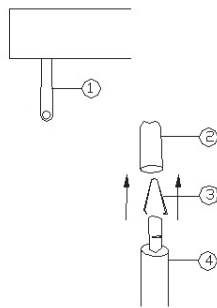
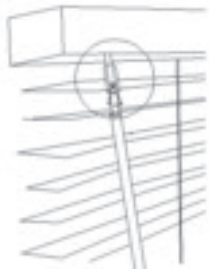


fig A

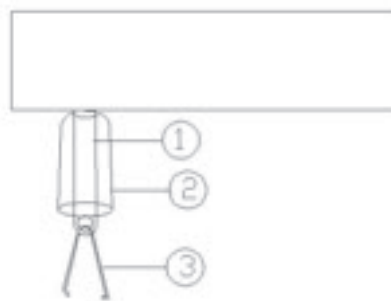


fig B

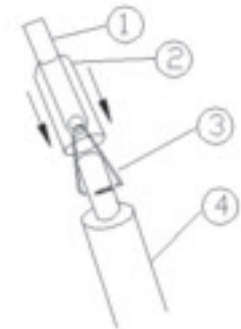


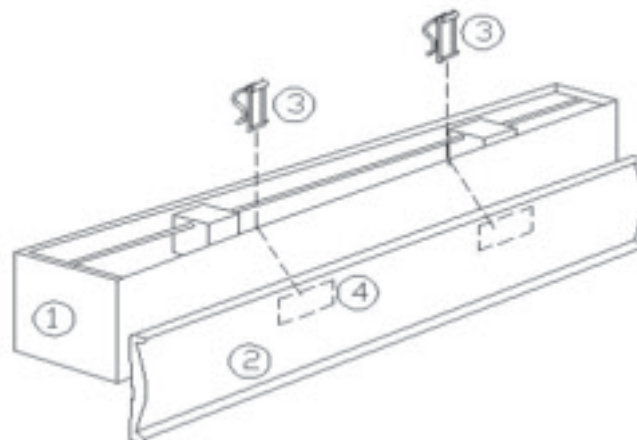
fig C

### Step 4. Installing the blind into the brackets (most natural wood blinds)

*(for most blinds, 2 people are required for this step)*

Your blinds come with protective wrap on the headrail. It is at your discretion to keep it or remove it. It will not affect the look after the installation is completed.

1. Hold the *valance* (2) up to the *headrail* (1) to determine the position of the *valance clips* (3). The clips should align to the stapled *plastic plates* (4) on the back of your valance.

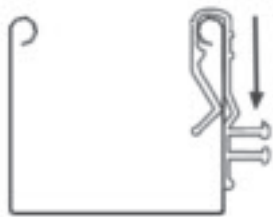


**Step 4 (cont).** Installing the blind into the brackets *(for most blinds, 2 people are required for this step)*

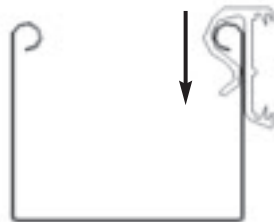
2. **Important step** ▶(Fig A) Clip the valance clips onto the headrail. **DO NOT** attach valance at this time.

Fig A

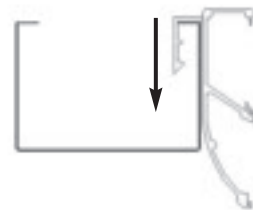
most 2" faux wood blinds



most 2" natural wood blinds



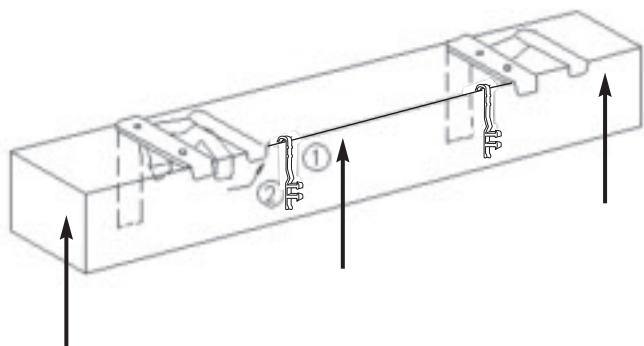
1" natural wood blinds



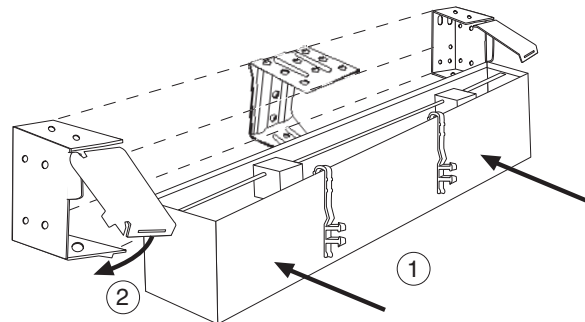
3. (Fig B) Make sure the blind is in closed position to make this step easier. Fit the *headrail* (1) into the brackets and close the *swing flaps* (2).

Fig B

**Universal swivel brackets**



**Box brackets**



**Step 5.** Attaching the valance

Hold the valance up to the headrail and clip the valance to the valance clips as illustrated in fig. A, B or C.

most 2" faux wood blinds

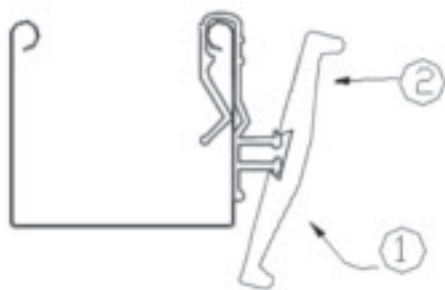


fig A

most 2" natural wood blinds

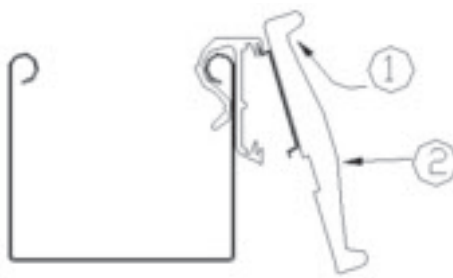


fig B

1" natural wood blinds

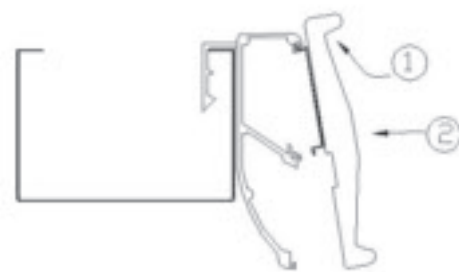
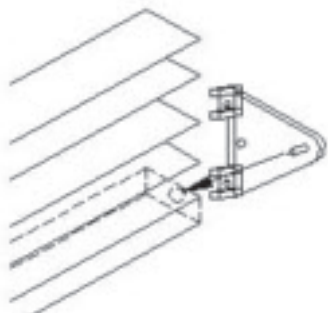


fig C

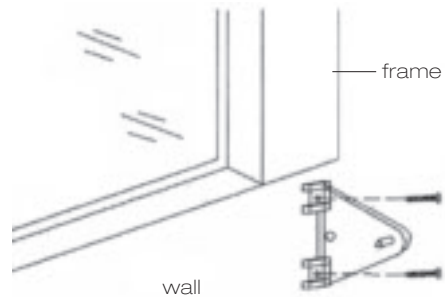
## Step 6. Installing hold down brackets

*(only if you have ordered hold down brackets)*

1. Lower the blind to the desired height.
2. Position the hold down bracket to align the tab to pre-drilled hole in the bottom rail (see fig. A).
3. Mount the bracket using the two screws provided (see fig. B). Insert the tab into the pre-drilled hole. To raise or lower the blind, release the bottom rail from the brackets by pulling the bracket away from the bottom rail.



*fig A*



*fig B*

