

BLINDS To Go™

2" Horizontal Blinds Installation Guide

Important: If you have ordered an upgraded valance for your blind, you must first read the Valance Installation Guide found on your box.



We make it easy!

Before starting

Your new Blinds To Go® horizontal blind is custom made to your specifications from the finest materials available. The installation should be easy and your blind should fit beautifully.

Mounting Options

Inside mount: Blind is mounted inside the window frame, either to the top of the frame or to the sides.

Outside mount: Blind is mounted either on or outside the window frame.

Note: Mounting screws provided are suitable for most mounting surfaces. See below for additional suggestions.

For wallboard or plaster: Use the provided hollow wall anchors for added support.

For concrete, stone, brick or tile: Use an appropriate drill bit and appropriate anchors before fastening the screws.

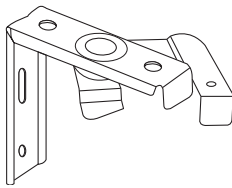
For metal surfaces: Pre-drill holes before fastening the screws.

Suggested Tools

- Drill
- Level
- Pencil
- Screwdriver
- Tape measure

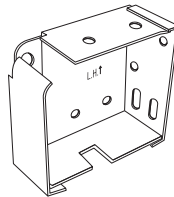
Installing Horizontal Blinds with *Regular Mechanism*

Parts



Swivel brackets
Quantity: 2 or more depending
on width of blinds

or



Box brackets
Quantity: 2

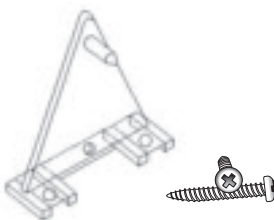


Mounting screws
Quantity: 2 per bracket

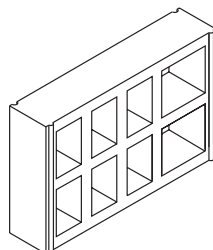


Valance clips
Quantity: 2 or more
depending on width of blind

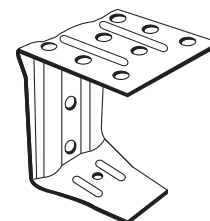
Optional hardware



Hold down bracket
and screws (optional)
Quantity: 2 sets



Spacer blocks (optional)
Quantity: 1 per swivel bracket



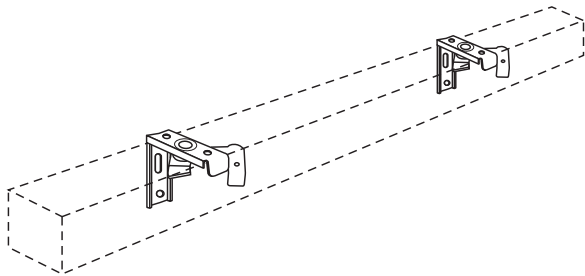
Center support bracket (optional)
Quantity: depending on width of blind

Getting started

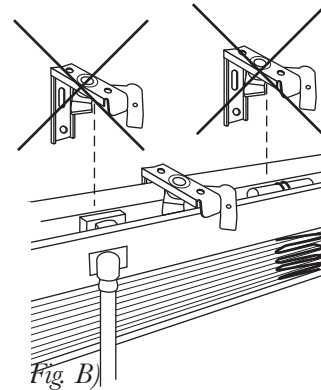
Step 1. Mounting brackets

If using Swivel Brackets (*refer to page 3 if using Box Brackets*)

1. The brackets should be positioned **approximately 3"** in from each end of the headrail (*Fig A*). If necessary, adjust the position of the brackets to avoid interfering with the operating components inside the headrail (*Fig B*).



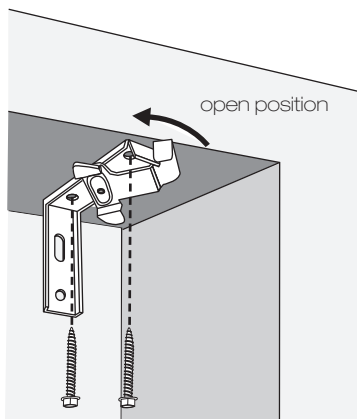
(Fig A)



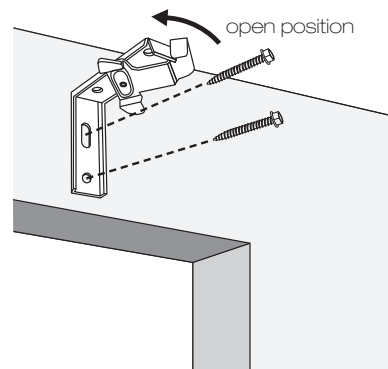
(Fig B)

2. Using 2 screws per bracket, fasten the brackets to the mounting surface. Leave brackets in open position.

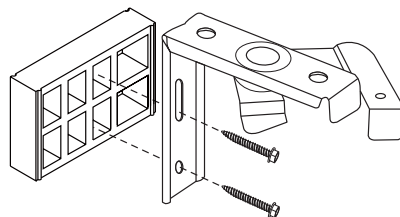
Inside mount



Outside mount



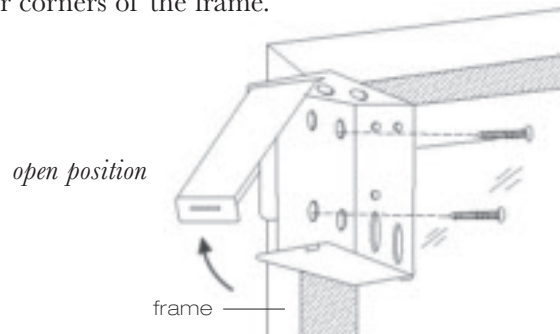
applying spacer blocks (optional)



If using Box Brackets

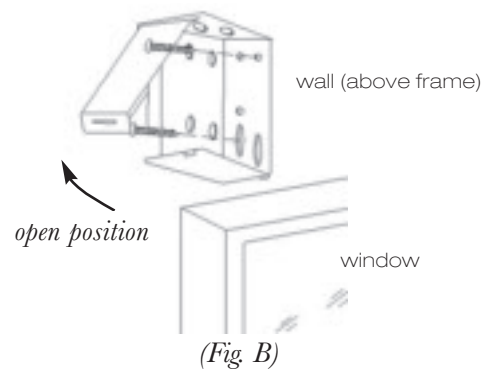
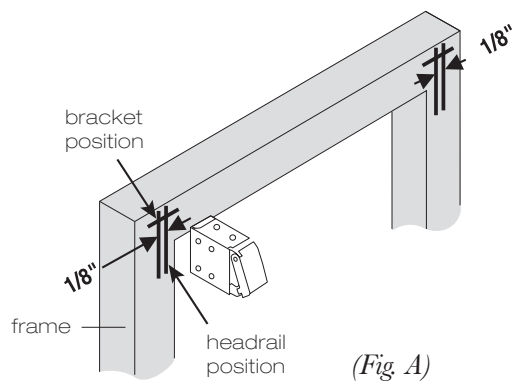
Inside mount

Mount brackets in the upper corners of the frame.



Outside mount

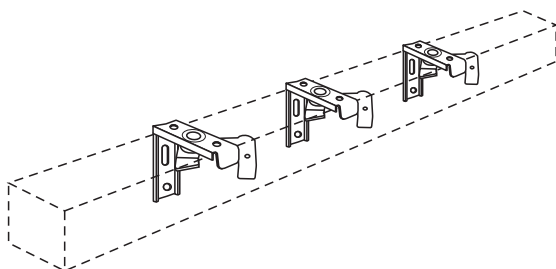
Outside edge of the brackets should be 1/8" to the outside of the headrail end mark. Mark positions of the headrail and brackets (Fig. A). Then use the marks as a guide and mount the brackets (Fig. B).



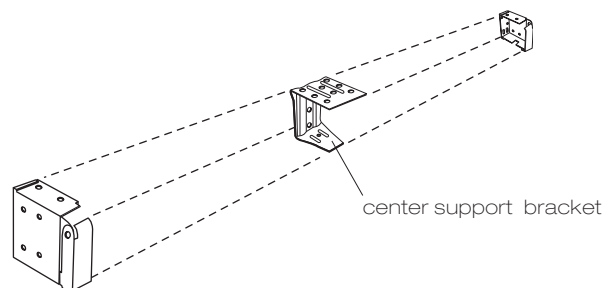
Step 2. Mounting center support brackets *(only for blinds over 60" wide)*

When additional bracket(s) or center support bracket(s) are provided, they should be spaced evenly between the two end brackets. The center bracket could be 2" to 3" to the right or left of center to make sure it does **not interfere with the components in the headrail**.

using swivel brackets

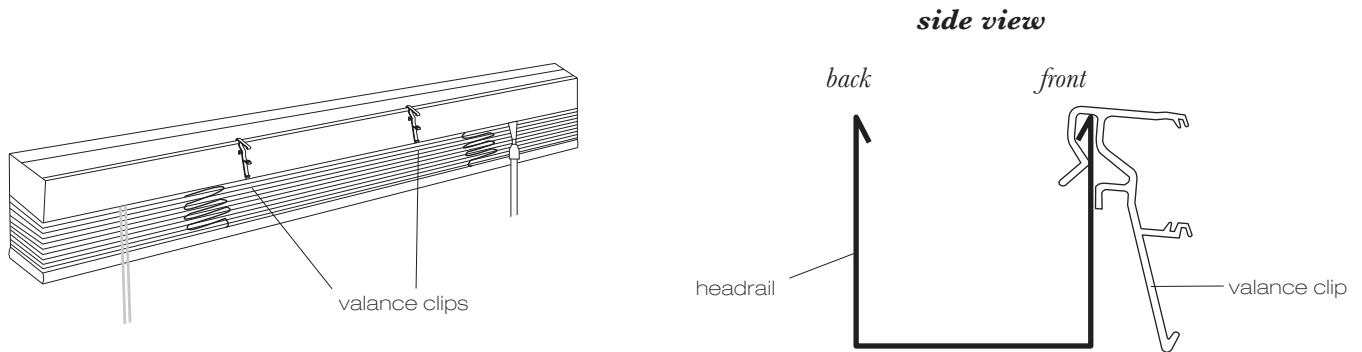


using box brackets



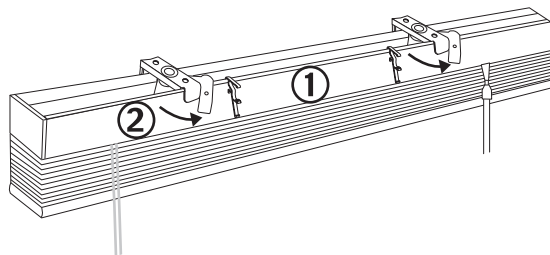
Step 3. Fitting the blind into the brackets

1. **Important step** (only if valance clips are provided): Before installing your blind, clip the valance clips onto the headrail as illustrated. Make sure they don't interfere with the components inside the headrail.

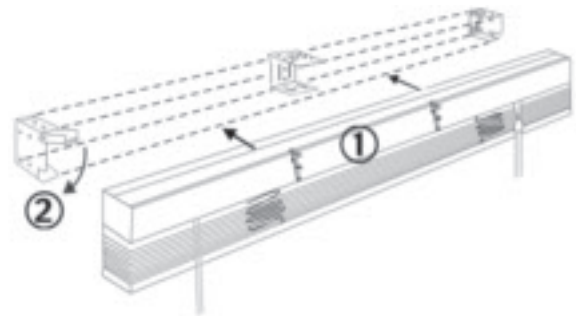


2. Make sure the blind is in the closed position before mounting. Fit the headrail into the brackets (1) and close the swivel arms or bracket doors (2).

using swivel brackets

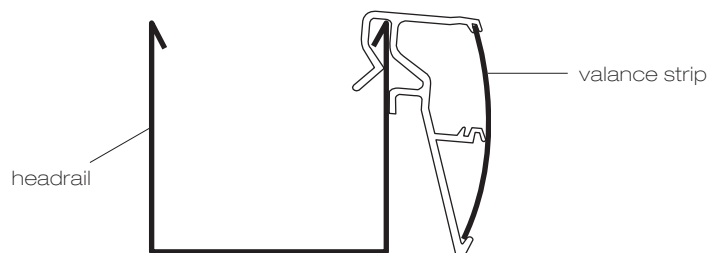


using box brackets



Step 4. Attaching the valance

Slide the valance strip into the valance clips. The strip can be bent slightly to facilitate entry.



Step 5. Mounting hold down brackets *(only if you have ordered hold down brackets)*

1. Lower the blind to the desired height. Position the hold down bracket to align the tab to the holes of the end caps of the bottom rail.
2. Mount the brackets as illustrated.

